

# DURANGO

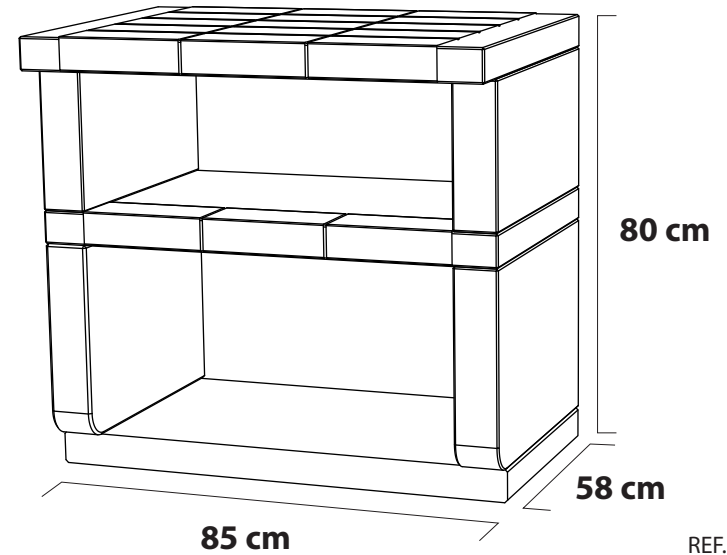
COUNTERTOP



Precast in Concrete  
Decoration and leisure products for the garden

# DURANGO

COUNTERTOP



REF.  
**7215**

Dimensions:  
85 x 58 x 80h  
300 kg

Precast in Concrete  
Decoration and leisure products for the garden



**READ THE FOLLOWING INSTRUCTIONS CAREFULLY**

WE REMIND YOU THAT THE **SETTING UP OF A CONCRETE BARBECUE GRILL REQUIRES A PARTICULAR TECHNICAL KNOW-HOW** IN ASSEMBLY METHODS, THUS WE RECOMMEND HIRING **INSTALLERS WITH THE SKILLS** FOR THIS PURPOSE.

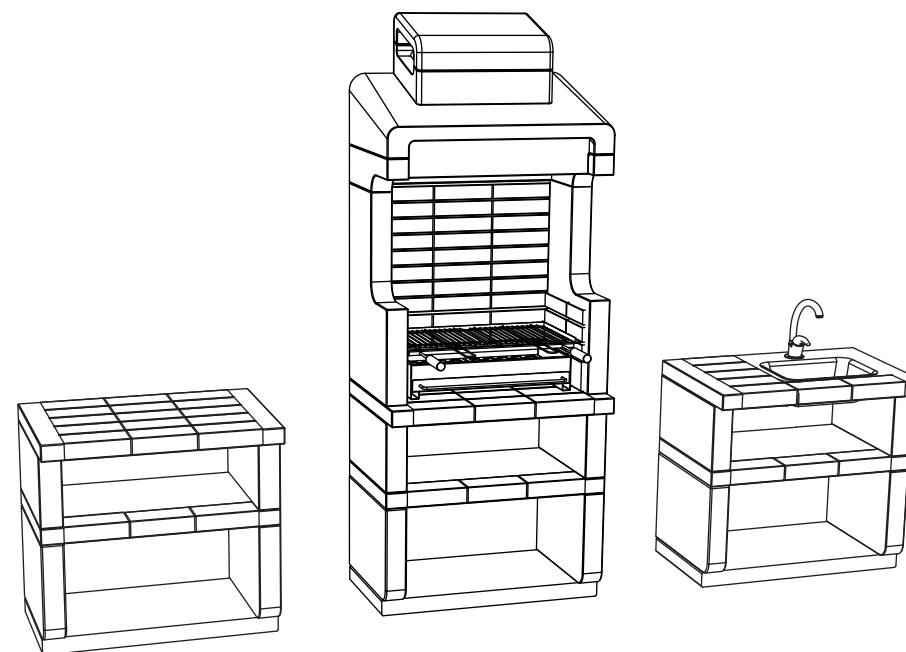
WHEN OPENING THE GRILL PACKAGE BE CAREFUL AS YOU REMOVE THE STRAPS THAT HOLD THE CONCRETE COMPONENTS. THESE COULD FALL AND CAUSE DAMAGE OR INJURY TO PEOPLE AND OBJECTS.

**BEFORE BEGINNING THE ASSEMBLY**

- WHEN SELECTING A PLACE TO ASSEMBLY YOUR GRILL, FAVOUR THOSE PLACES THAT ARE EXTERNAL AND COVERED, SHELTERED FROM WIND, HUMIDITY AND DIRECT SUNLIGHT. SELECTING A GOOD PLACE FOR YOUR GRILL, WILL ENSURE THAT YOU ENJOY GREATER COMFORT IN ITS USE AND THE MAXIMUM OUTPUT IN THE GRILLING ACTIVITY. MOREOVER, YOUR GRILL WILL KEEP ITS ORIGINAL APPEARANCE FOR A LARGER PERIOD OF TIME.
- **THE GRILL MUST NECESSARILY BE SET OVER A FLAT SURFACE, RIGID AND LEVEL.** IF THE BASE SURFACE DOES NOT MEET THE CONDITIONS MENTIONED, THE ASSEMBLY WILL BE DEFICIENT AND UPSET THE LOOK, STRUCTURAL INTEGRITY AND EFFICIENT OPERATION OF THE GRILL.
- FOR THE ASSEMBLY OF KITAWAY GRILLS, THE USE OF MORTARS WITH HIGH RESISTANCE CEMENT AND QUICK DRY CEMENT IS NOT ALLOWED, E.G. WHITE CEMENT, ALUMINIUM CEMENT OR SIMILAR, REFRACTORY CEMENT, OR CEMENT MORTAR FOR LAYING CERAMICS. YOU MUST USE A MORTAR WITH 20% LOW RESISTANCE CEMENT AND 80% FINE SAND. AS AN ALTERNATIVE YOU MAY USE A FIRE-RESISTANT SILICON WITH HIGH TEMPERATURE RESISTANCE. USE OF SILICON WILL ENSURE A BETTER FINISH IN THE JOINTS, SPECIALLY IN THOSE MODELS THAT DO NOT REQUIRE FINISHING OR PAINTING (PLAN SERIES, PLAN FOLD, EGO AND KITAWAY).

# DURANGO

## Barbecue Grill and modules

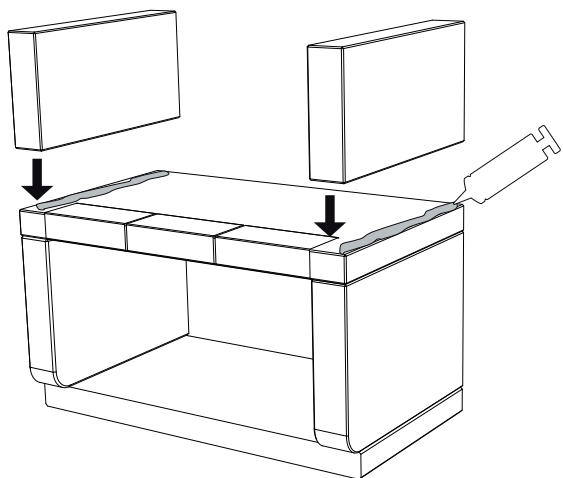


**DURANGO**  
Countertop

**DURANGO**  
Barbecue

**DURANGO**  
Countertop +  
Sink + Tap

3



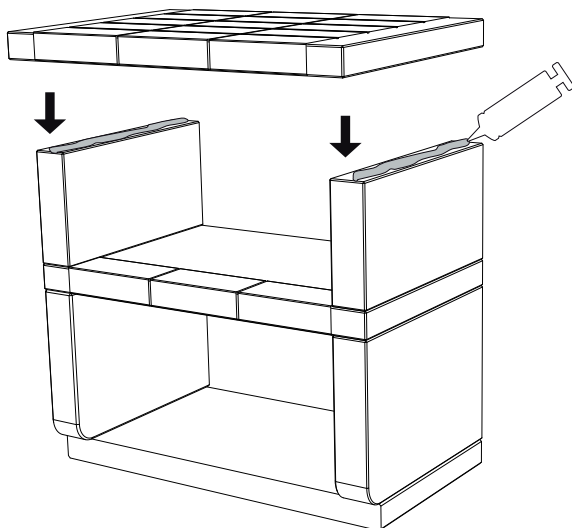
#### MAINTENANCE

- EXCEPT FOR THE METALLIC COOKING GRID, ALL THE OTHER COMPONENTS MUST BE DRY-CLEANED AFTER NATURAL COOLING.
- THE CONCRETE COMPONENTS CAN ALSO BE CLEANED OCCASIONALLY WITH WATER AND A NYLON HAIRBRUSH.
- WHEN YOU CLEAN THE CONCRETE COMPONENTS WITH WATER, REMOVE ALL OTHER METALLIC COMPONENTS SO THAT THEY DO NOT BECOME WET.

#### IMPORTANT WARNINGS

- REMEMBER THAT KEEPING THE GOOD LOOK AND DURABILITY OF YOUR GRILL DEPENDS ON GOOD PRACTICES OF OPERATION AND MAINTENANCE. WE ALSO INFORM YOU THAT A FEW ACCESSORIES FOR THE USE AND MAINTENANCE OF YOUR GRILL ARE AVAILABLE. INQUIRE AT THE SHOP WHERE YOU ACQUIRED THIS PRODUCT OR CONSULT OUR WEBSITE [WWW.TUOZI.PT](http://WWW.TUOZI.PT).

4

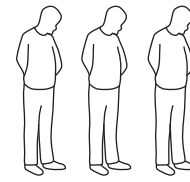
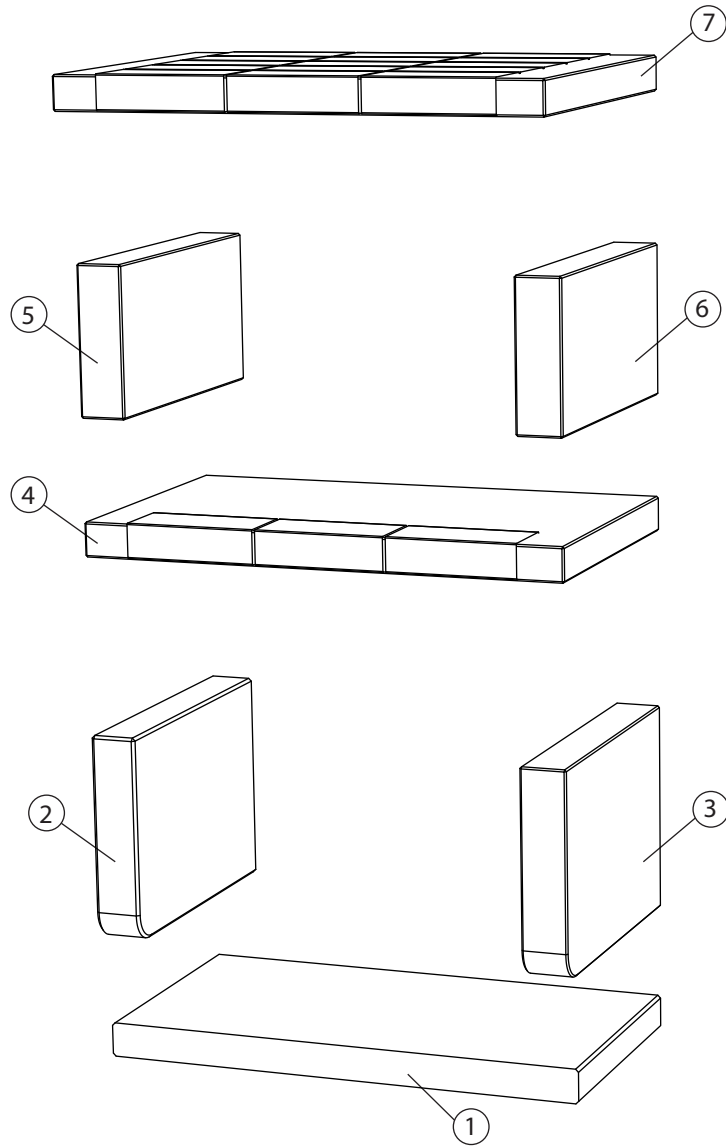


**PLEASE KEEP THIS BROCHURE FOR FUTURE NEED**

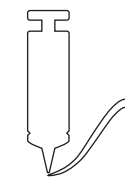
IN CASE THERE ARE STILL DOUBTS ABOUT ASSEMBLY AND USE OF THIS PRODUCT, PLEASE CONSULT THE SALESMAN AT THE SHOP WHERE YOU ACQUIRED THE GRILL OR CONSULT OUR WEBSITE [WWW.TUOZI.PT](http://WWW.TUOZI.PT).

THANK YOU FOR CHOOSING OUR BARBECUE GRILLS.  
**TEAM TUOZI® BY MOVELAR WISHES YOU GOOD APPETITE!**

**IDENTIFICATION OF PARTS**



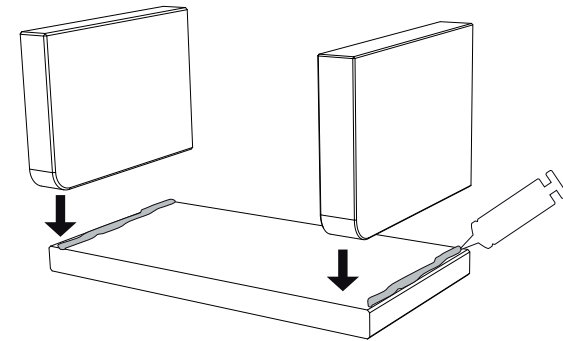
3x



Heat-resistant  
silicon



**1**



**2**

